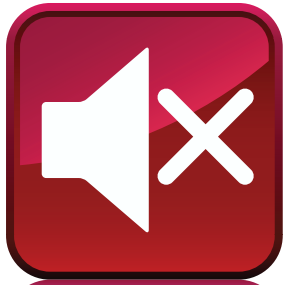


SM AUTOMATIC

MOTORIZATION FOR INTERIOR WINDOW TREATMENTS

WIRING INFORMATION

DRAPERIES



3351 Jack Northrop Avenue, Hawthorne, CA 90250-4426
Tel: 310-220-2600 / 800-533-3040 Fax: 310-559-9764
email: sales@smautomatic.com web: www.smautomatic.com

BASIC SWITCHING CONTROL TERMINOLOGY AND INFORMATION GUIDE

LOW VOLTAGE MODULAR SWITCH (RECESSED WALL INSTALLATION)

Available with drapery motors only. A specially designed three button switch, open-stop-close, which allows direction reversal at any point. Low voltage switching connections are made, using RJ-11 modular cable, from the switching port of the motor to a modular wall jack (phone type); then inside the wall to the junction box containing the switch. Power to the motor is supplied by a 9 foot power cord.

RADIO FREQUENCY WIRELESS REMOTE CONTROL (SMA-RF)

A radio frequency controlled system for most motors (except Model 9700). Transmitters are available to control from 1-24 motors, with individual, group and subgroup operation options. For Models 8000 and 9600, the RF receiver is concealed within the head rail, when ordered with the wireless remote control option.

INFRARED WIRELESS REMOTE CONTROL (SMA-IR)

The system is directional, digital coded and has a maximum range of 50 feet. Infrared systems are not subject to possible interference from outside sources, as is sometimes the case with radio frequency controls, but must have line of sight between the transmitter and sensor (sensors are available within or without a mounting case). Transmitters are available to control from 1-24 motors, with individual, group and subgroup operation options. A wide variety of configurations are possible, allowing for either individual or group operation; as well as auxiliary wall switches and control system interfaces. A receiving eye is plugged into the receiver using a modular cable, and takes it's signal from the transmitter..

RADIO FREQUENCY WIRELESS REMOTE CONTROL (RTS)

Radio Technology Somfy, provides a comprehensive method for radio frequency control of motorized systems, with cross platform control system integration. Available both as stand alone, single motor RF control, or as an integrated part of a whole house automated system.

CONTROL SYSTEM

Provides an interface with a home theater, multi-room control system, or whole-house automation system. For drapery motors interfacing with a home theater, multi-room control system, or whole-house automation system; two (2) momentary dry contacts (switching contacts with no voltage inputted) are required for open-stop-close (two button) operation. Operation initiates with either the "Open" or "Close" contact, and a second action with either contact produces the "Stop" function. All other motors (except model 9700) use two (2) momentary dry contacts. All motors are fully compatible with control systems by AMX , Crestron Electronics, LiteTouch, Lutron Electronics, Phast, Control4 and Vantage Controls.

DRAPERY MOTORS ELECTRICAL/ELECTRONIC CONTROL ACCESSORIES

SWITCHES

S-300A	Decorator drapery motor switch with one set of Open-Stop-Close buttons, to operate a single drapery motor, or multiple drapery motors as a group. Conforms to decora style wall plate. Colors: white or ivory
S-300B	Same as S-300A, except with two sets of Open-Stop-Close buttons, to operate two motors (or two groups of motors) separately. Colors: white or ivory
S-1DD	Drapery motor limit setting switch. Also used as a hand held or surface mount low voltage switch. Color: white
S-2DD	Modular recessed wall mount low voltage switch. Color: desert ivory Also available in 2, 3, 4 and 5 switch (gang) configurations at additional cost.
S-2DD2	Double (2 gang) modular recessed wall mount low voltage switch. Color: desert ivory Also available in 3, 4 and 5 switch (gang) configurations at additional cost.
S-KEY	Key switch (momentary)
MJS	Modular wall jack (single)
MJD	Modular wall jack (double)
MC3	Modular cable (3 foot)
MDC	Modular splitter (2)
CSI	Control System Interface, and drapery motor SPDT interface

DRAPERY MOTORS ELECTRICAL/ELECTRONIC CONTROL ACCESSORIES

WIRELESS REMOTE CONTROL

SMA-RF	Radio frequency remote control receiver
SMA-IR	Infrared remote control receiver, receiving eye, and modular cable (3 foot)
RF/IR-T1	Radio Frequency or Infrared remote control transmitter (controls one motor)
RF/IR-T2	Radio Frequency or Infrared remote control transmitter (controls up to 2 motors individually and as a group)
RF/IR-T4	Radio Frequency or Infrared remote control transmitter (controls up to 4 motors individually and as a group)
RF/IR-T12	Radio Frequency or Infrared remote control transmitter (controls up to 12 motors individually and as a group)
RF/IR-T24	Radio Frequency or Infrared remote control transmitter (controls up to 24 motors individually and as a group)
IR Keypad	Recessed wall mount (single gang), keypad control. Includes built in infrared receiving eye. Available in configurations to control from 1-24 motors individually, as a group or as subgroups.
RF Keypad	Recessed wall mount (single gang), keypad control. Available in configurations to control from 1-24 motors individually, as a group or as subgroups. Custom configurations (both IR and RF versions) as well as custom labeling is available for an additional cost.

IMPORTANT INFORMATION REGARDING RADIO FREQUENCY INTERFERENCE

All radio frequency (RF) wireless remote control systems are subject to radio wave interference. When present, RF interference may be constant or intermittent.

According to FCC regulation, equipment used for RF wireless remote controlled window treatments, must follow these guidelines:

“Operation is subject to the following two conditions: (1) This device may not cause harmful interference and (2) this device must accept any interference that may be received, including interference that may cause undesired operation.”

DRAPERY MOTORS ELECTRICAL/ELECTRONIC CONTROL ACCESSORIES

RTS

RTS-RCVR	RTS Receiver for Models 5100, 9600 and 8000 (already included in 9300-RTS)	
Telis 1	One Channel Transmitter	
Telis 4	Four Channel Transmitter	
Telis 16	Sixteen Channel Transmitter	
Decoflex 1	One Channel Wireless Wall Switch	Color: white or ivory
Decoflex 1	One Channel Wireless Wall Switch	Color: black
Decoflex 2	Two Channel Wireless Wall Switch	Color: white or ivory
Decoflex 2	Two Channel Wireless Wall Switch	Color: black
Decoflex 3	Three Channel Wireless Wall Switch	Color: white or ivory
Decoflex 3	Three Channel Wireless Wall Switch	Color: black
Decoflex 4	Four Channel Wireless Wall Switch	Color: white or ivory
Decoflex 4	Four Channel Wireless Wall Switch	Color: black
Decoflex 5	Five Channel Wireless Wall Switch	Color: white or ivory
Decoflex 5	Five Channel Wireless Wall Switch	Color: black
Chronis	RTS Timer	
Sunis	RTS Sun Sensor	
Repeater	RTS Repeater (extends signal range)	
Dry Contact	Single Channel Dry Contact Interface	
Table Top S	Table Top Wirelss Switch Housing (add appropriate Decoflex above)	Color: silver
Table Top B	Table Top Wirelss Switch Housing (add appropriate Decoflex above)	Color: black
Universal Interface	RTS Universal Interface - Converts IR, RS232 or RS485 to RTS	

DRAPERY MOTORS ELECTRICAL/ELECTRONIC CONTROL INFORMATION

LOW VOLTAGE MODULAR SWITCH (RECESSED WALL INSTALLATION)

Available for drapery motors only. The switch conforms to a single gang junction box. Low voltage switching connections are made from the switching port of the motor to a modular wall RJ-11 jack (phone type) using a modular cable; then inside the wall to the junction box containing the switch. *The modular cable is nonstandard, and should be supplied by SM Automatic (see page 13).* Low voltage 4 conductor wire run within the wall is typically supplied by the electrician. Power to the motor is supplied by a 9 foot power cord. Electrical outlet and wall jack should be positioned behind drapery, typically 12" directly below motor.



The S-1DD, a hand held or surface mount version is also available. Switch is supplied with a 12 foot, low voltage cable, that plugs into a switching port of the motor.

RADIO FREQUENCY WIRELESS REMOTE CONTROL (SMA-RF)

A radio frequency system which is controlled by a hand-held transmitter. It is omnidirectional, digital coded, and has a maximum range of 100'. Transmitters are available to control from 1-24 motors, with individual, group and subgroup operation options.



INFRARED WIRELESS REMOTE CONTROL (SMA-IR)

The system is directional, digital coded and has a maximum range of 50 feet. Infrared systems are not subject to possible interference from outside sources, as is sometimes the case with radio frequency controls, but must have line of sight between the transmitter and sensor. A transmitter is available to control from 1-24 motors, with individual, group and subgroup operation options.



RADIO FREQUENCY WIRELESS REMOTE CONTROL (RTS)

Radio Technology Somfy, provides a comprehensive method for radio frequency control of motorized systems, with cross platform control system integration. Available both as stand alone, single motor RF control, or as an integrated part of a whole house automated system.

CONTROL SYSTEM

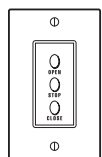
When interfacing with a home theater, multi-room control system, or whole-house automation system; two (2) momentary dry contacts (switching contacts with no voltage inputted) are required for open-stop-close (two button) operation. Operation initiates with either the "Open" or "Close" contact, and a second action with either contact produces the "Stop" function.

As an alternative, and required when using the previous 300 series drapery motors, three (3) momentary dry contacts are required for full function open-stop-close (three button) operation.

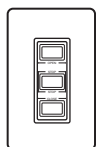
All drapery motors are "Smart Motors," designed with built-in logic boards. They are all fully compatible with all major control systems, including those manufactured by AMX, Crestron Electronics, LiteTouch, Lutron Electronics, Phast, Control4 and Vantage Controls.



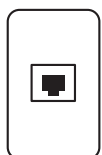
ELECTRICAL/ELECTRONIC CONTROL AND WIRING INFORMATION LEGEND



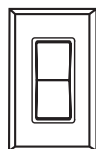
S-300A Switch



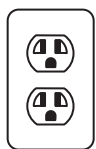
S-2DD Switch



Modular Wall Jack (RJ-11)



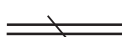
S-DEC2 Decora Paddle Switch



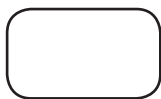
Standard 110 volt Duplex Outlet



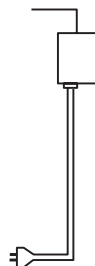
Modular Cable (four conductor: 4/26)



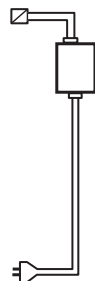
In-wall Modular Cable (four conductor: 4/26)
(supplied by others)



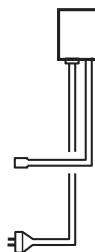
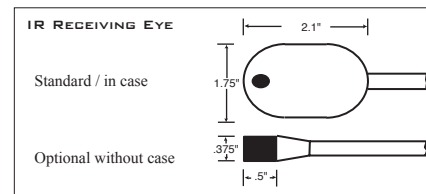
Automation Control System
(supplied by others)



Radio Frequency Receiver

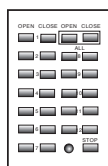


Infrared Receiver



Control System Interface

Low Voltage SPDT Interface



Infrared or Radio Frequency
Receiver Keypad



Automation Control System
User Interface
(supplied by others)

DRAPERY MOTORS ELECTRICAL/ELECTRONIC CONTROL AND WIRING INFORMATION GUIDE

SWITCHES

S-300A White



S-300A Ivory



S-300B White



S-300B Ivory

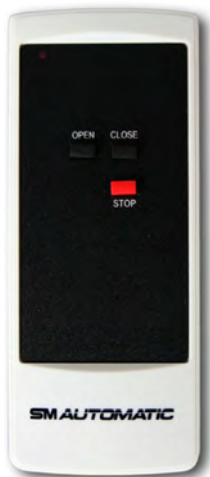


S-1DD



RADIO FREQUENCY (SMA-RF) AND INFRARED REMOTE CONTROL (SMA-IR)

RF/IR-T1



RF/IR-T2



RF/IR-T4



RF/IR-T12



Custom transmitter configurations are available

RADIO FREQUENCY (SMA-RF) AND INFRARED REMOTE CONTROL KEYPADS (SMA-IR)

RF-K1 / IR-K1



RF-K3 / IR-K3



RF-K4 / IR-K4



RF-K6 / IR-K6



RF-K12 / IR-K12



Custom keypad configurations are available

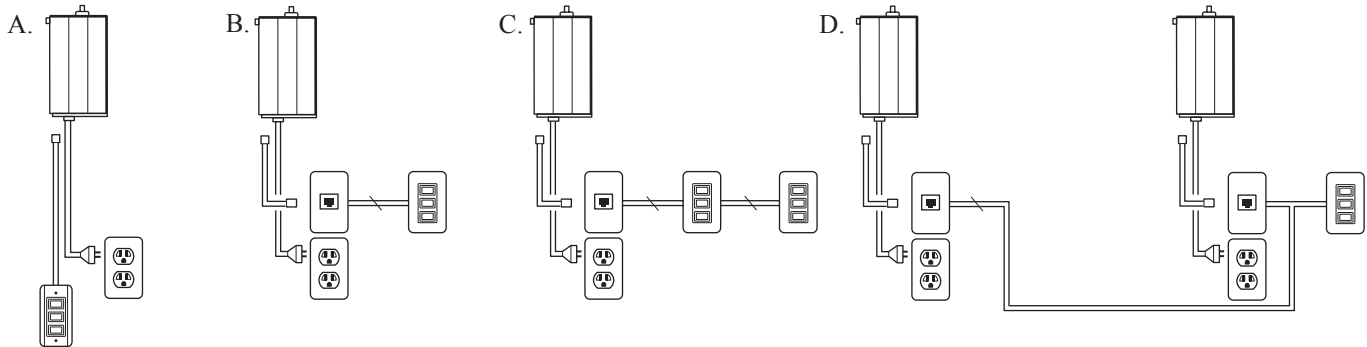
DRAPERY MOTORS ELECTRICAL/ELECTRONIC CONTROL AND WIRING INFORMATION GUIDE

A. S-1DD Switch Individual Control

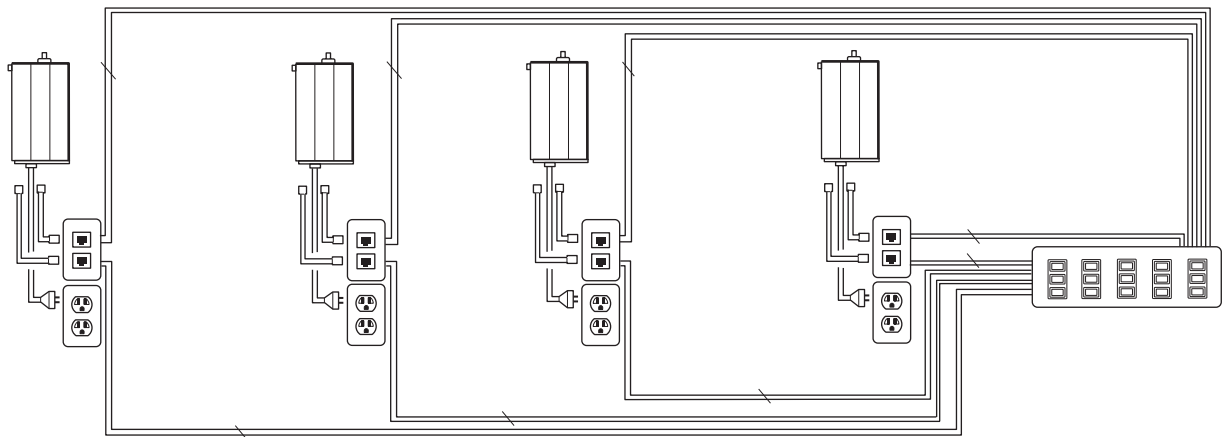
B. S-300A or S-2DD Switch Individual Control

C. Two S-300A or S-2DD Switch Individual Control

D. S-300A or S-2DD Switch Group Control



E. Individual and Group Switch Control

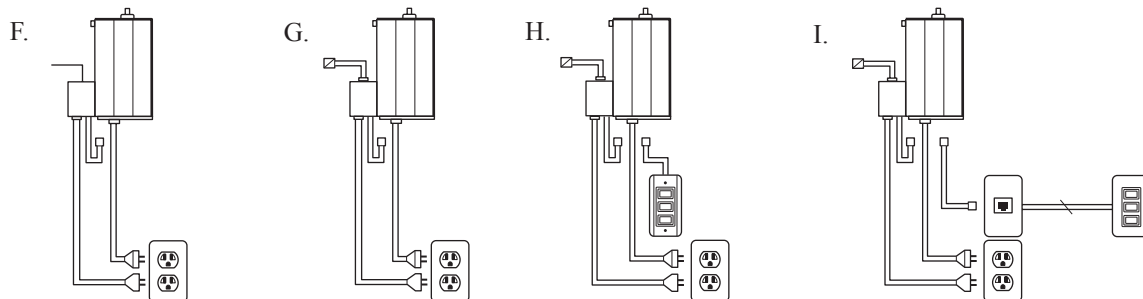


F. Individual Radio Frequency Remote Control

G. Individual Infrared Remote Control

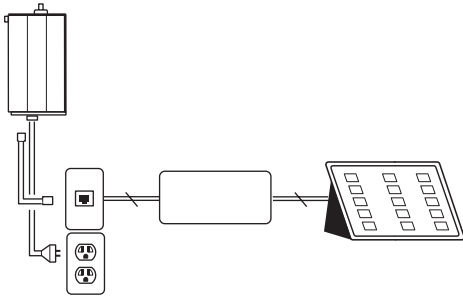
H. Individual Remote Control with S-1DD Switch

I. Individual Remote Control with S-300A or S-2DD Switch

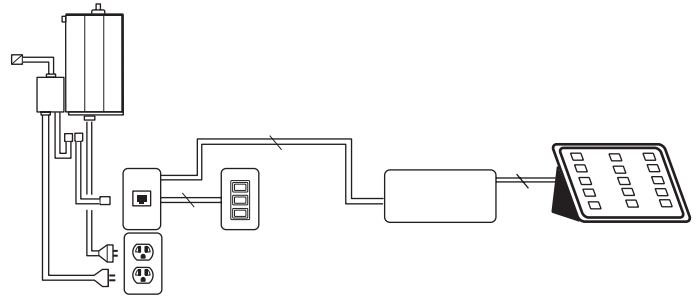


DRAPERY MOTORS ELECTRICAL/ELECTRONIC CONTROL AND WIRING INFORMATION GUIDE

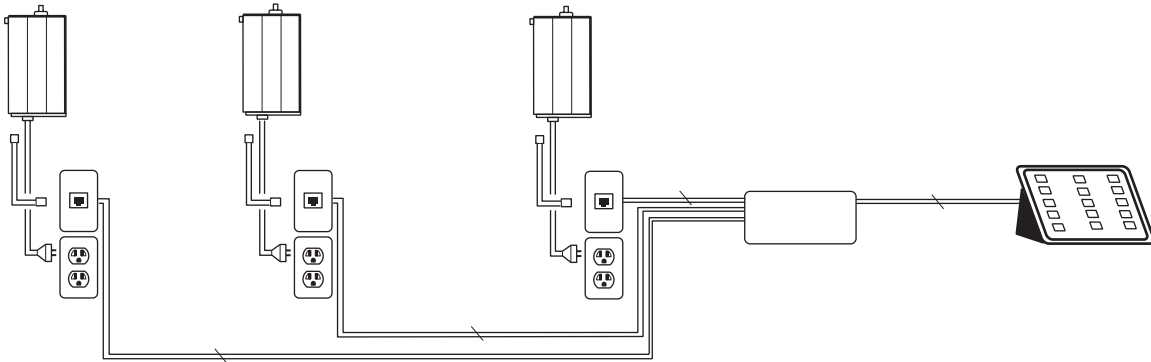
J. Automation Control System



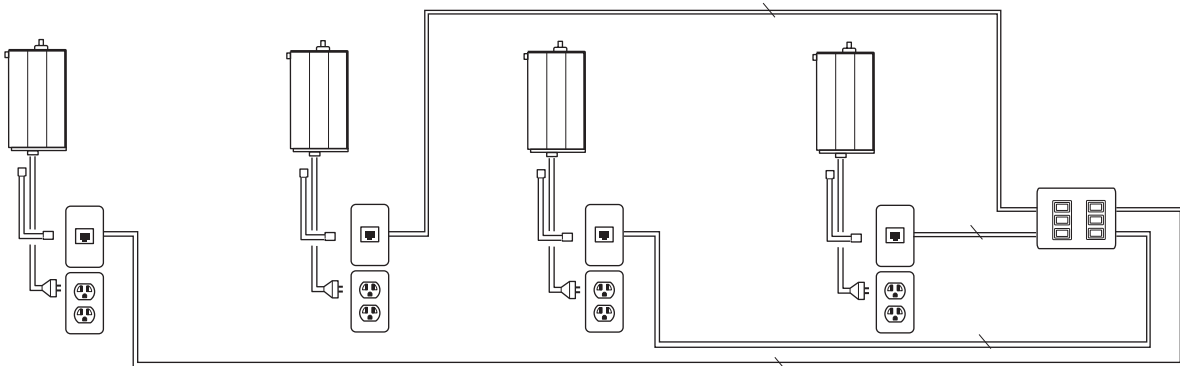
K. Automation Control System with Individual Remote Control and S-300A or S-2DD Switch



L. Individual and Group Automation Control System

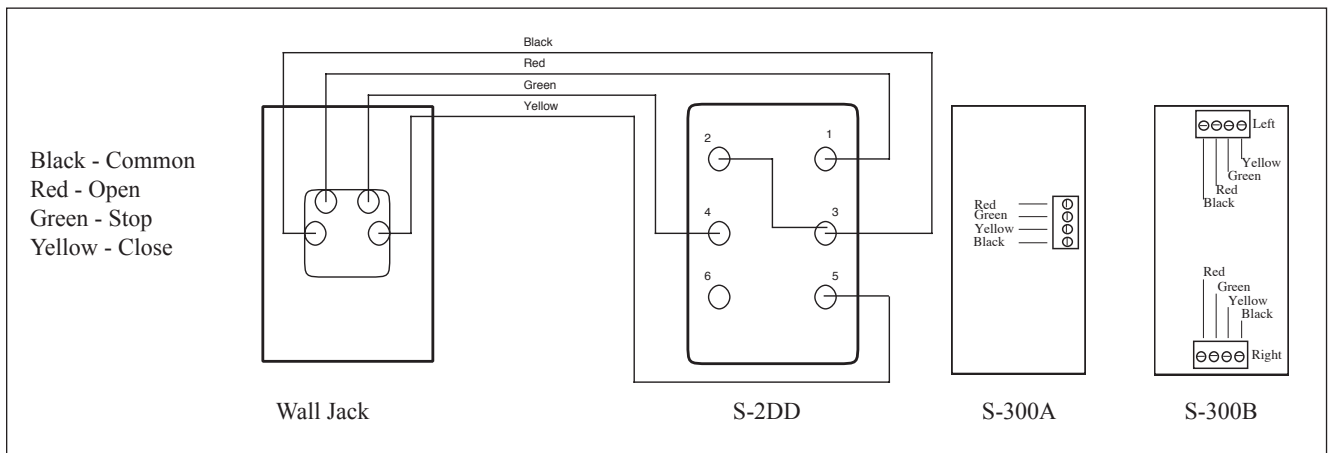


M. Double Group Switch Control with S-300B or S-2DD2

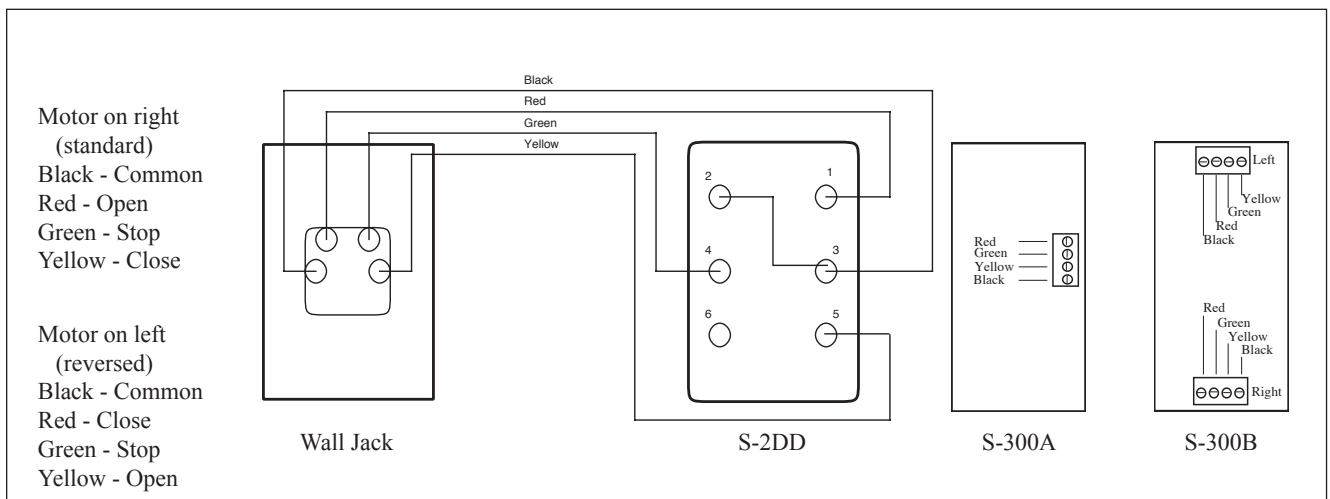


DRAPERY MOTORS ELECTRICAL/ELECTRONIC CONTROL AND WIRING INFORMATION GUIDE

N. Modular Wiring for Direct Drive Motors



O. Modular Wiring for Model 5 Motors



P. Modular Wiring for Direct Drive Motors Connecting to Automation Control System

